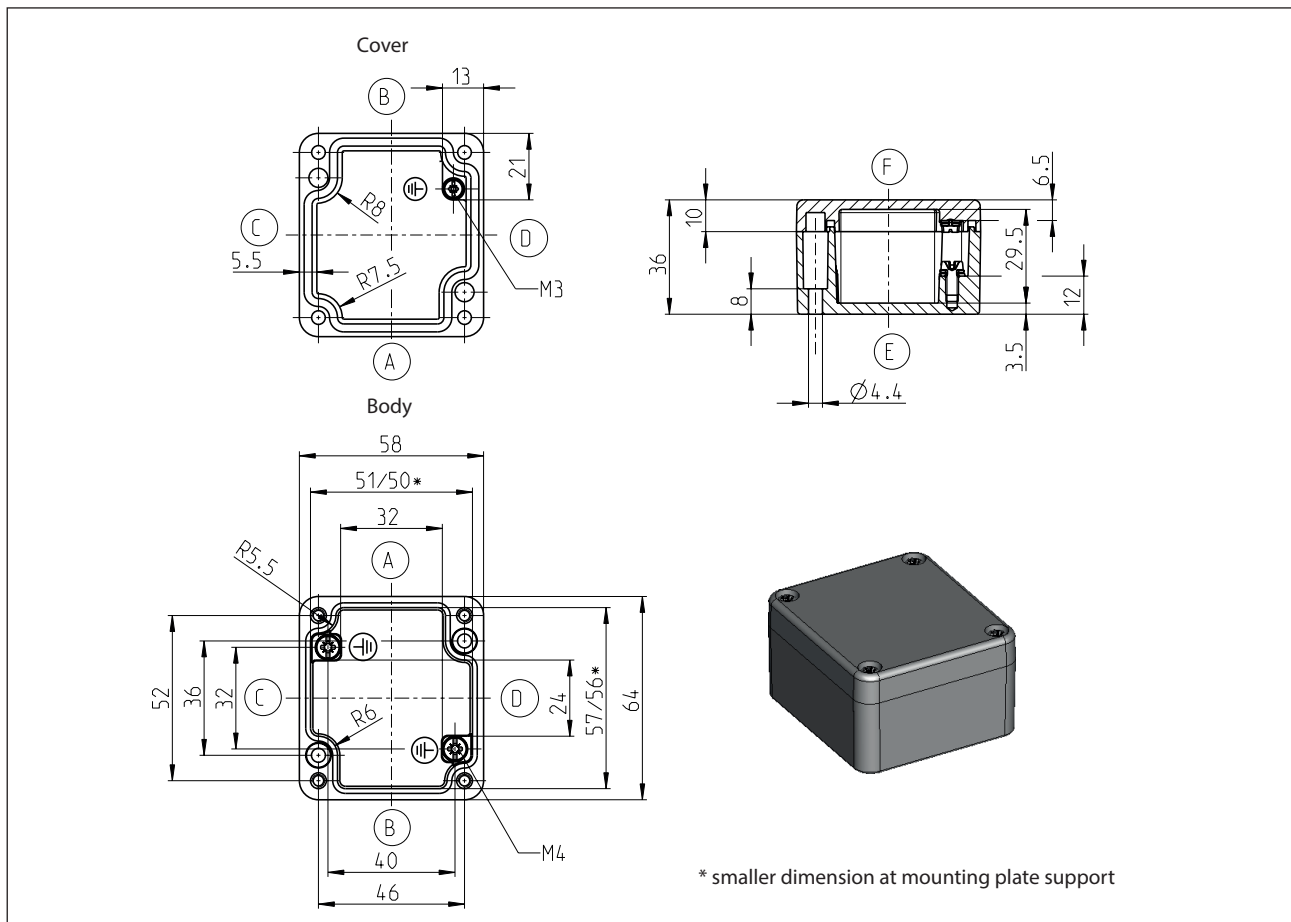


**Standard enclosure**  
Series CA


|                           |                                 |
|---------------------------|---------------------------------|
| <b>Designation CA-060</b> | <b>Article number 106000000</b> |
|---------------------------|---------------------------------|



|   |
|---|
| <b>Standard version</b>                             |
| Scope of supply:                                    |
| Base of enclosure                                   |
| Enclosure cover                                     |
| Cover screws (cross recessed head) enclosed loosely |
| Earthing screws in the lower part and in the cover  |
| Colour RAL 7001 (silver grey)                       |
| Cover gasket PUR (polyurethane)                     |
| Individually packaged in foil                       |

|   |     |     |     |     |     |     |     |     |
|---|-----|-----|-----|-----|-----|-----|-----|-----|
| <b>Maximum possible number of thread (figures for identical diameter, not mixed!)</b> |     |     |     |     |     |     |     |     |
| ISO M   | M12 | M16 | M20 | M25 | M32 | M40 | M50 | M63 |
| Page A/B  | 2   | 1   | 0   | 0   | 0   | 0   | 0   | 0   |
| Page C/D  | 1   | 0   | 0   | 0   | 0   | 0   | 0   | 0   |

| <b>Property chart CA-060</b>                                   |                                    |                                  |  |
|--|------------------------------------|----------------------------------|--|
| <b>Specification</b>   | <b>Value</b>                       | <b>According to the standard</b> | <b>Remark</b>  |
| <b>General data:</b>   |                                    |                                  |  |
| Weight   | 160 g                              |                                  |  |
| External dimensions  | 58 x 64 x 36                       |                                  |  |
| Protection classes   |                                    |                                  |  |
| IP-code  | IP66                               | EN 60529                         |  |
| IP-code  | IP67                               | EN 60529                         |  |
| IK-code  | IK09                               | IEC 62262                        |  |
| Material   |                                    |                                  |  |
| Enclosure  | EN AC-ALSi12Cu1(Fe)<br>EN AC-47100 | DIN EN 1706:05/98                | Aluminium pressure die-casting Alloy 231                 |
| Screws   | A2-50                              | DIN EN ISO 3506-1                | Cover screws   |
| Gasket   | PUR (Polyurethan)                  |                                  | Colour: dark grey, 2-component polyurethane foam seal    |
| Toxic behaviour  | halogen-free                       |                                  |  |
| <b>Mechanical properties:</b>                                  |                                    |                                  |  |
| Torques  |                                    |                                  |  |
| Cover screws   | 2,0 Nm                             |                                  |  |
| Earthing screws  | 2,0 Nm                             |                                  | Body   |
|  | 1,5 Nm                             |                                  | Cover  |
| Attachment of accessories                                      | 2,0 Nm                             |                                  | for ex. mounting plates, mounting rails                  |
| Other mounting   | 2,0 Nm                             |                                  | Screw channel  |
| Maximum installation weight                                    | 0,1 kg                             |                                  |  |
| <b>Thermal properties:</b>                                     |                                    |                                  |  |
| Temperature range  |                                    |                                  |  |
| Enclosure without a seal                                       | -30 °C bis +80 °C                  |                                  | Standard powder-coated enclosure                         |
| PUR-seal   | -40 °C bis +100 °C                 |                                  |  |
| Ambient temperature<br>Indoor application                      | -5°C bis +40°C                     | DIN EN 62208                     | On the average over 24h +35°C                            |
| Thermal conductivity value                                     | 16,57 K/W                          |                                  | taking account of effective dissipation loss             |
| Relative humidity  |                                    |                                  |  |
| Indoor application   | max. 50% bei +40°C                 | DIN EN 62208                     | with low temperatures also higher (for ex. 90% at +20°C) |
| Storage temperature  | -20°C bis +60°C                    |                                  |  |
| <b>Chemical properties:</b>                                    |                                    |                                  |  |
| Corrosion resistance   | Severity level A                   | DIN EN 62208/9.13.2.1            | IEC 60068-2-30 and IEC 60068-2-11                        |
| Corrosion resistance   | Severity level B                   | DIN EN 62208/9.12.2.1            | IEC 60068-2-30 and IEC 60068-2-11                        |
| Resistance lists for enclosure materials and seals see catalog |                                    |                                  |  |

| <b>Property chart CA-060</b>       |                                      |                                  |  |
|------------------------------------|--------------------------------------|----------------------------------|--|
| <b>Specification</b>               | <b>Value</b>                         | <b>According to the standard</b> | <b>Remark</b>  |
| <b>Electrical characteristics:</b> |                                      |                                  |  |
| Protection class                   | I                                    | EN 61140 / VDE 0140-1            |  Protection by protective conductor |
| Rated voltage                      | max. 1000 V (AC)<br>max. 1500 V (DC) |                                  |  |
| <b>More details:</b>               |                                      |                                  |  |
| General tolerance                  | GTA 13/5                             | DIN 1688                         | Cast part tolerances   |
| General tolerance                  | mH                                   | ISO 2768                         | Machining tolerances   |
| Product standard                   | Yes                                  | DIN EN 62208                     | Empty enclosures for low-voltage switchgear assemblies   |
| <b>Approvals</b>                   |                                      |                                  |  |
| c UL us                            | Yes                                  | UL508A / C22.2                   | Typ 1, 4, 4x, 12, 13   |
| <b>Compliances</b>                 |                                      |                                  |  |
| RoHs                               | compliant                            | Directive 2011/65/EU             |  |
| CE label                           | compliant                            | EG-Nr. 765/2008                  |  |
| Low-Voltage-Directive No.:         | 2014/35/EU                           |                                  |  |

### Other versions / Accessories

The following information is not a standard. Approvals, compliances and protection classes of these versions upon request.

| <b>Other versions CA-060</b>                                       |                |
|--|----------------|
| Description of the modification compared with the standard version | Article number |
| HF seal and cover screws   | 1060008000     |
| Unwashed, not painted, loose accessories                           | 1060038000     |
| CR gasket  | upon request   |
| UV-resistant powder (outdoor installation)                         | upon request   |
| Packed in cartons (screwed-in cover screws)                        | upon request   |

| <b>Accessories / as individual parts or as assembly set</b>                                   |                |
|---|----------------|
| Description of the modification compared with the standard version                            | Article number |
| Mounting plate  | 9511001000     |
| Mounting rail TS 15   | 9820000000     |
| Mounting rail TS 32   | -              |
| Mounting rail TS 35   | -              |
| Earthing rail   | -              |
| External mounting brackets  | -              |
| External articulated hinges   | -              |
| Internal articulated hinges with cover guide (mechanical machining of the enclosure required) | -              |

| <b>Alternative seals</b>   |                    |                           |              |
|----------------------------|--------------------|---------------------------|--------------|
| Specification              | Value              | According to the standard | Remark       |
| <b>Thermal properties:</b> |                    |                           |              |
| CR gasket                  | -30 °C bis +80 °C  |                           | IP66         |
| Silicone foam seal         | -60 °C bis +130 °C |                           | IP66 / IP67  |
| Silicone complete seal     | -60 °C bis +200 °C |                           | IP66 / IP67  |
| EPDM seal                  | -35 °C bis +100 °C |                           | IP66         |
| HF seal                    | -55 °C bis +125 °C |                           | upon request |